



- Xenon short arc lamp for event and architecture lighting
- Higher luminance due to shortened arc gap
- Robust base for improved stability
- Optimised, compact design
- Splash-proof outdoor packaging for mobile application
- Daylight colour temperature 6000 K
- Available in four wattages: 2000 W, 3000 W, 4000 W, 7000 W
- Hot restart
- Dimmable

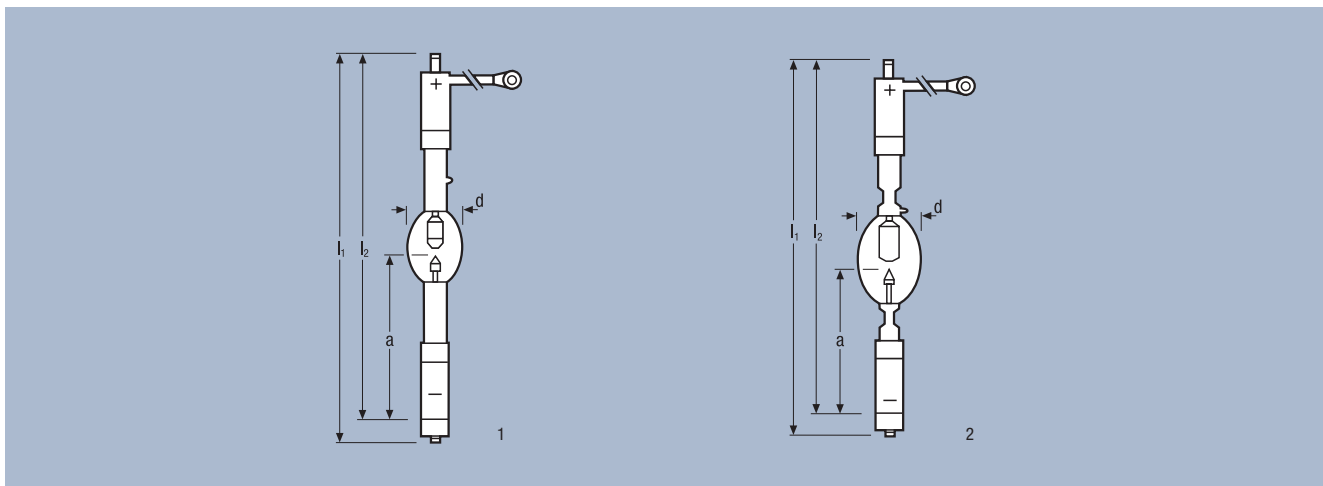
At home on stage: Xstage[®] – the new XBO[®] for brilliant entertainment.

The outdoor specialist: bright, compact and robust.

SEE THE WORLD IN A NEW LIGHT



TECHNICAL DATA



	Xstage® 2000 W	Xstage® 3000 W	Xstage® 4000 W	Xstage® 7000 W
Lamp voltage (V)	23	30	30	40
Rated current (A)	90	100	130	160
Current control range (A)	70–110	70–110	80–135	110–165
Luminous flux (lm)	80000	140000	150000	330000
Luminous intensity (cd)	9000	13500	17000	33000
Average luminance (cd/cm ²)	170000	200000	120000	120000
Electrode gap cold (mm)	3.5	4.5	6.0	8.0
Max. length l ₁ (mm)	300	300	315	405
Length l ₂ (mm)	262	262	277	354
Distance a in mm (LCL)	120	120	120	162.5
Bulb diameter d (mm)	46.5	55	60	70
Average life (h)	1000	1000	1000	1000
Illustration no.	1	1	1	2



Heavyweights in action: Xstage® highlights the Gerry Weber stadium in Halle/Westfalen, Germany.

With Xstage®, OSRAM has developed a new lamp line especially suited for event and architecture lighting. On the basis of the established XBO® lamp series, the new xenon short arc lamps were optimised for outdoor use. In order to facilitate safe installation for mobile applications, the robust base provides more stability. Additionally, the shortened arc gap allows for more luminance and, therefore, an increase in brightness. Xstage® can be installed in all luminaires with screw-in sockets. Just like the XBO® lamp series, it allows a hot restart and has the daylight colour temperature of 6000 K. Due to its inner pressure, the lamp is highly sensitive and comes in a new, extra-stable outdoor packaging.