



Mighty small, mighty bright.

The tiny trendsetter: OSRAM HALOPIN® COMPACT

SEE THE WORLD IN A NEW LIGHT

OSRAM



The tiny trendsetter: OSRAM HALOPIN® COMPACT

The trend towards smaller and smaller light sources continues unabated. To continue this trend, OSRAM is now offering its smallest HALOPIN® mains voltage halogen lamp in an even smaller format. At only 43 mm long, the new HALOPIN® COMPACT is a full 8 mm shorter than the standard HALOPIN® – and therefore as small as a low-voltage pin-base lamp.

Small luminaires – and no transformers

HALOPIN® COMPACT is operated on mains voltage, with no transformer needed. This space-saving solution enables smaller, more compact and more cost-effective luminaires to be designed – a new dimension in creative design freedom that will benefit all luminaire manufacturers, lighting designers and architects alike.

Big on safety and longevity

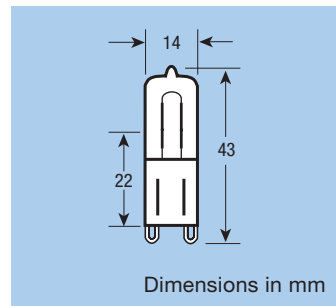
HALOPIN® COMPACT is available in two wattages, 25 W and 40 W, and lasts much longer. Its average life is 2,000 hours, compared with 1,500 hours for the classic HALOPIN®. The integral safety fuse ensures it is switched off at the end of its life, in accordance with the safety requirements of IEC 60432-2.

Compact and uncompromising: the high-quality lamp for all occasions

HALOPIN® COMPACT is designed to fit the now standard G9 holder. It can also be operated in unshielded luminaires to IEC 60598-1 and is made of UV-FILTER quartz. It provides brilliant bright halogen light that is fully dimmable, making it ideal for the home. In short, another high-quality innovation direct from the inventor, OSRAM.

HALOPIN® COMPACT provides brilliant halogen light without the need for a transformer. It has the same output as a normal HALOPIN® but is 8 mm shorter and lasts 500 hours longer.

Technical data



Type	HALOPIN® COMPACT clear		HALOPIN® COMPACT frosted	
	25 W	40 W	25 W	40 W
Product reference	66725	66740	66725 AM	66740 AM
Product no. (EAN)	4050300 791777	4050300 791791	4050300 791920	4050300 791753
Rated wattage	25 W	40 W	25 W	40 W
Luminous flux	260 lm	490 lm	230 lm	460 lm
Average lamp life	2,000 h	2,000 h	2,000 h	2,000 h
Base	G9	G9	G9	G9
Standard pack	20 pcs	20 pcs	20 pcs	20 pcs
Max. length	43 mm	43 mm	43 mm	43 mm
Max. diameter	14 mm	14 mm	14 mm	14 mm
LCL	22 mm	22 mm	22 mm	22 mm

